

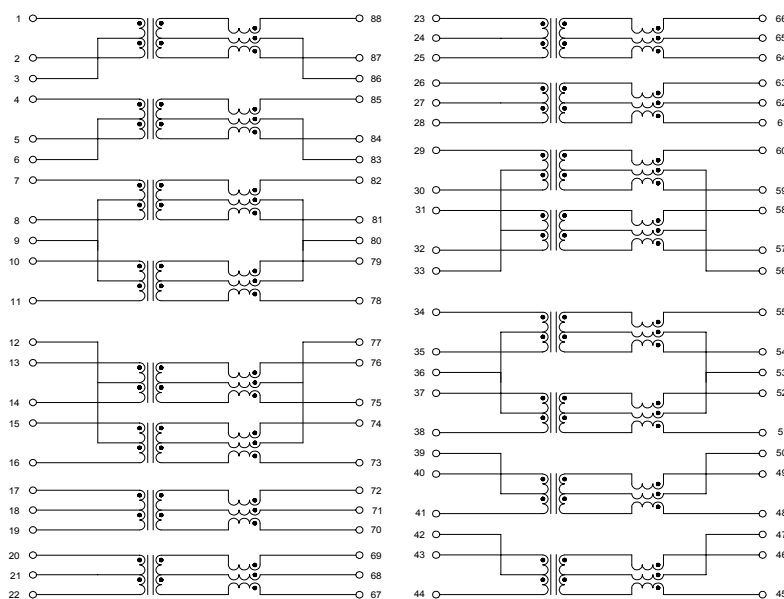
Feature:

IEEE 802.3at compliant performance
 POE applications with 720mA current capability
 Comply with RoHS requirements
 Operating temperature -40°C to +85°C

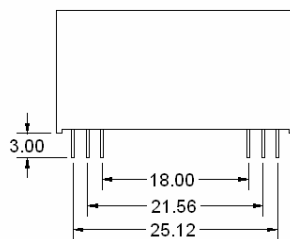
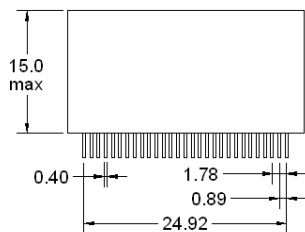
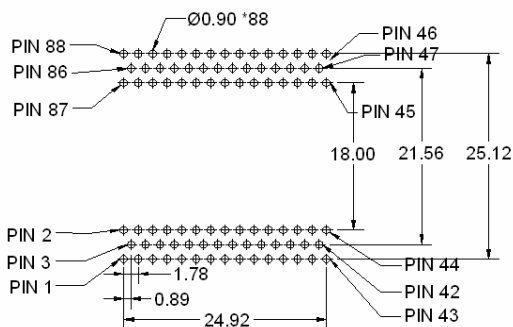
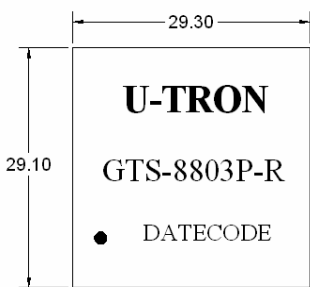
Electrical Characteristics: @25°C

OCL:350uH Min @ 100KHz,0.2V,8mA DC BIAS
 Turn Ratio:1CT:1CT±5%
 Insertion Loss: 1-100MHz -1.0dB Max
 Return Loss (100Ω±15%):
 1-40MHz -16.0dB Min
 40-100MHz -10+20log₁₀(f/80 MHz) dB Min
 Cross Talk: 1-100MHz -30dB Min
 DCMR: 30MHz -40dB Min
 60MHz -35dB Min
 100MHz -30dB Min
 Isolation Hi-Pot: 1500Vrms

Schematic:



Dimensions:



Dimensions: mm

Unless otherwise specified, all tolerances are ± 0.25